



Visit [www.greatbikegear.com](http://www.greatbikegear.com) to view installation video

**KEY CODE NUMBER** \_\_\_\_\_  
(Save this number for future key identification)

**Applications** **Model ARO-R2BR** Rev. 11/19/15

Honda Shadow Aero VT750 with hard mount backrest -  
Used with hardmount backrest (purchased separately)

Before you begin, read these instructions and check to be sure all parts are accounted for.

<b><u>Qty.</u></b>	<b><u>Part Description</u></b>
2	Easy Brackets (ID number 30 cut into the brackets)
4	Docking Post
4	10mm Polished SS Socket Head Bolt
8	3/8 x 1 Black Button Head Bolt
8	3/8 Nylon Locking Nut
8	3/8 Fender Washers
2	Key

**Installation Instructions**

1. After installation of the hard mount backrest (not provided), remove the two rearmost fender bolts from the RH side of the fender.  
**Note:** Remove and replace (1) bolt at a time to avoid movement of the fender.
2. Using the 10mm polished SS socket head bolt with the small docking post at the front and the 10mm SS socket head bolt with the larger docking post at the rear, attach the docking posts to each of the rear vacant fender bolt holes. Torque to 12 ft. lbs.
3. Repeat steps 1 and 2 on the LH side of the fender.
4. Install the EASY BRACKETS on the docking posts. **Note:** Use the key provided to open the cam lock prior to installation on the docking posts. The key can not be removed until the cam lock is fully engaged under the docking post.
5. Hold the RH saddlebag against the EASY BRACKET. Position the saddlebag as desired noting the clearances from the seat, turn signals and any lower obstructions such as chain guards, axle nuts, and etc. Mark the outer edge of the bracket on the saddlebag. Remove the EASY BRACKET from the motorcycle.
6. Place the bracket on the saddlebag within the outline and drill the 4 holes for mounting. Attach the bracket to the saddlebag using the (4) 3/8 x 1 black button head bolts, (4) 3/8 fender washers and (4) 3/8 Nylon locking nuts (**All 4 mounting points MUST be utilized**). Install the completed RH saddlebag with EASY BRACKETS on the motorcycle. **Note: The cam lock must be fully engaged and the key removed to ensure the EASY BRACKETS are properly installed and ready for use.**
7. Repeat steps 4, 5 and 6 on the LH side of the fender.

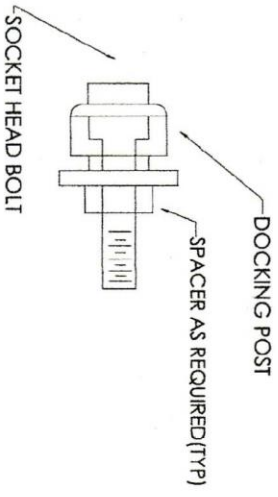
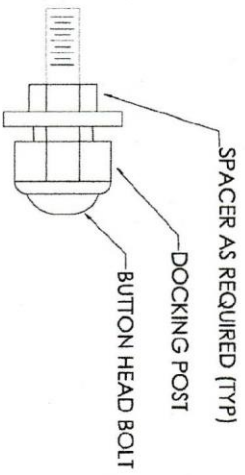
**Notice to Consumer**

**Do NOT exceed 15 lbs. of total weight on the EASY BRACKET saddlebag removal system.**

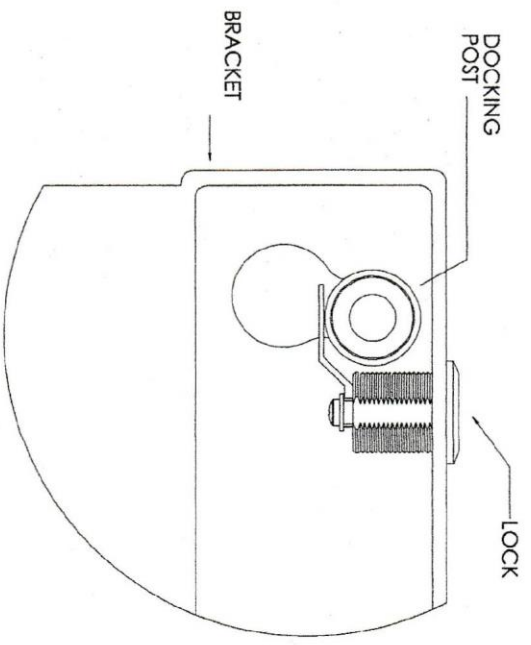
Neither the manufacturer nor the distributor or retailer of the EASY BRACKETS makes any express warranties of any kind with respect to the EASY BRACKETS. Any implied warranty does not cover defects caused by modification or alterations of the EASY BRACKETS or caused by physical abuse to or misuse of the EASY BRACKETS or its use and/or operation in a manner contrary to the accompanying instructions. Failure to install and/or use the EASY BRACKETS in the manner described by the accompanying instructions shall render all warranties, expressed and/or implied, void and release the manufacturer, distributor and retailer from any and all liability arising from the use of the EASY BRACKETS.

**For product support, damaged or missing parts, please contact Great Bike Gear at 866-521-3024  
Do not return product without prior authorization.**

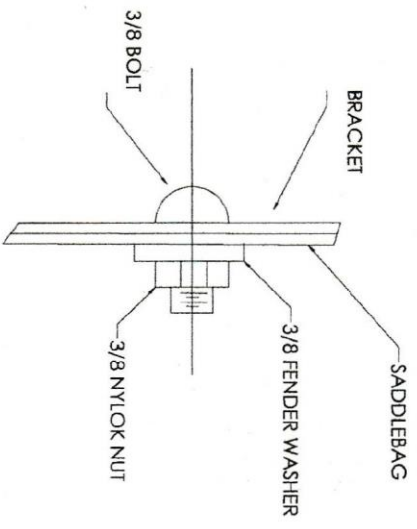
**SEE REVERSE SIDE FOR ILLUSTRATIONS**



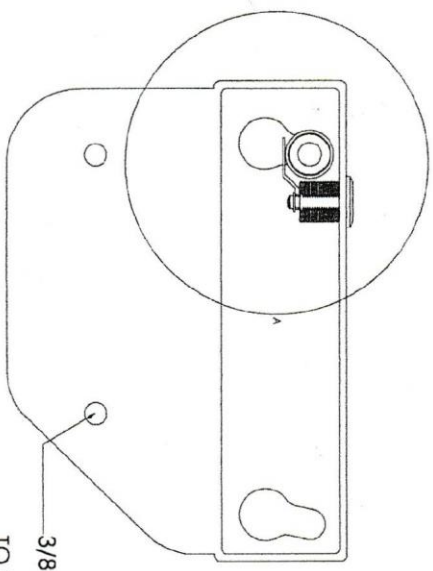
TYP BOLT/DOCKING POST



DETAIL A



DETAIL B



TO MOUNT BRACKET TO SADDLEBAG, ALL 4 BOLTS MUST BE USED. (SEE DETAIL B)

TYPICAL DETAILS