



License Plate / Turn Signal Relocation Kit Option- Model HTSMS-01OP/HTSMS-02OP/ HTSMS-03OP/HTSMS-04OP/HTSMS-05OP

Application

Harley Davidson 2018 Street Bob/ Slim/ Fat Bob/Fat Boy/Breakout

Harley Davidson 2013-2017 Breakout

Before you begin, read and understand these instructions and check to be sure all parts are accounted for.

<u>Qty.</u>	<u>Part Description</u>
1	Mounting Bracket
1	Tri-Horizontal License Plate Frame
5	Adhesive Backed Wire Clips and Ties
3	Push-In Wire Ties
4	Black Plugs 2 small 2 large

Installation Instructions

Note: A licensed Harley Davidson technician should be consulted before beginning installation of the HTSMS 01-04OP Kit. The following instructions are intended to provide general instructions for the installation of the relocation kit.

1. Place the motorcycle on a safe and secure motorcycle jack. (see fig.1)
2. Remove the seat to access the turn signal and license plate light plugs. The left turn signal plug is grey, the right turn signal plug is black (see fig.2) The electrical plugs need to be removed to avoid cutting the turn signal wires. (see fig.3) The wires must be reinstalled in the plug exactly as removed. The license plate light wires will need to be removed. Remove the (3) push in wire ties at the front of the fender.
3. Remove the (4) forward fender strut bolts at the frame connection point to remove the fender and strut assembly from the motorcycle. (see fig.4) (Have a protected stable worktable prepared ahead of time to prevent scratching the fender). Remove the red reflector at the rear of the fender.)
4. Remove the 3 bolts (two outsides, one inside) on each fender strut to gain access to the rear turn signal mounting bolts and wiring. Remove the wiring and turn signals from the fender struts
5. Install the Tri-Horizontal License Plate Frame onto the mounting bracket using the supplied screws. (Note: a small notch at the top center of the license plate may be required to allow for Tri-Horizontal License Plate Frame wires.)
6. Install the fender struts and Tri-Horizontal License Plate Frame onto the fender reusing the stock rear 3/8 button head bolts. The mounting bracket will mount between the inner fender support bracket and the fender. The hole in the mounting bracket will slip over the boss in the inner fender support bracket. Ensure that the inner fender support bracket is securely in the "C" channel at the end of the relocation bracket mounting arm. (see fig.5) Install the adhesive wire clips. (see fig. 6)
7. Connect the wiring from the Tri-Horizontal License Plate Frame as directed in the enclosed installation instructions.
8. For the best adhesion clean the inside of the fender before you install the adhesive backed wire clips along the inside of the fender. On the left install two (2) adhesive backed wire clips and on the right install (3) adhesive backed wire clips above each mounting bolt. (see fig.6) Clip the wires from the Tri-Horizontal License Plate Frame as necessary.
9. Reinstall the fender and strut assembly to the motorcycle. Install the black plugs into the holes previously intended for the relocated turn signals. 2 small and 2 larges.
Ensure all electrical wires have a safe clearance from tire.
10. Test all electrical functions. Reinstall the seat.

Notice to Consumer

Neither the manufacturer, nor the distributor nor the retailer of the Mounting System makes any express warranties of any kind with respect to the Mounting System. Any implied warranty does not cover defects caused by modification or alterations of the Mounting System or caused by physical abuse to or misuse of the Mounting System or its use and/or operation in a manner contrary to the accompanying instructions. Failure to install and/or use the Mounting System in the manner described by the accompanying instructions shall render all warranties, expressed and/or implied, void and release the manufacturer, distributor and retailer from any and all liability arising from the use of the Mounting System.,

**For product support, damaged or missing parts, please contact Great Bike Gear, Inc. at 866-521-3024
Do not return product without prior authorization.**



fig.1



fig.2

Turn Signal Connector Removal

1. After removal of the taillight lens, disconnect the turn signal connector from the electrical terminal by depressing the Release button. (1)
2. Open the Secondary lock. (3) Note the wire color locations for correct reconnection.
3. Using a Pin or small screwdriver (6) release the Tang (4) from the Socket terminal (5) while gently pulling the wire from the connector.
4. For addition information search YouTube for “Harley Davidson OEM wire signal connector Molex harness Plug removal-How to take apart”
5. Reverse the procedure for reconnection.

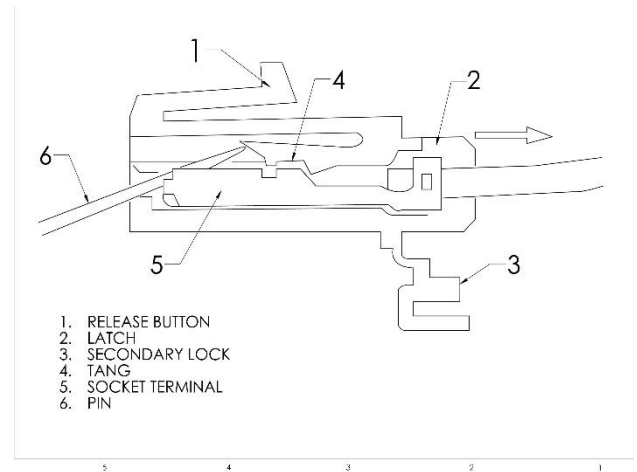
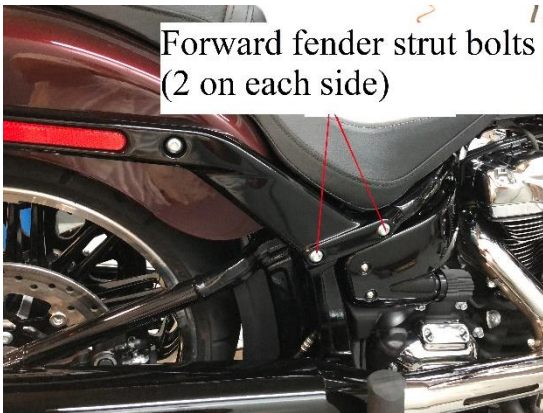


fig.3



Forward fender strut bolts
(2 on each side)

fig.4



fig.5

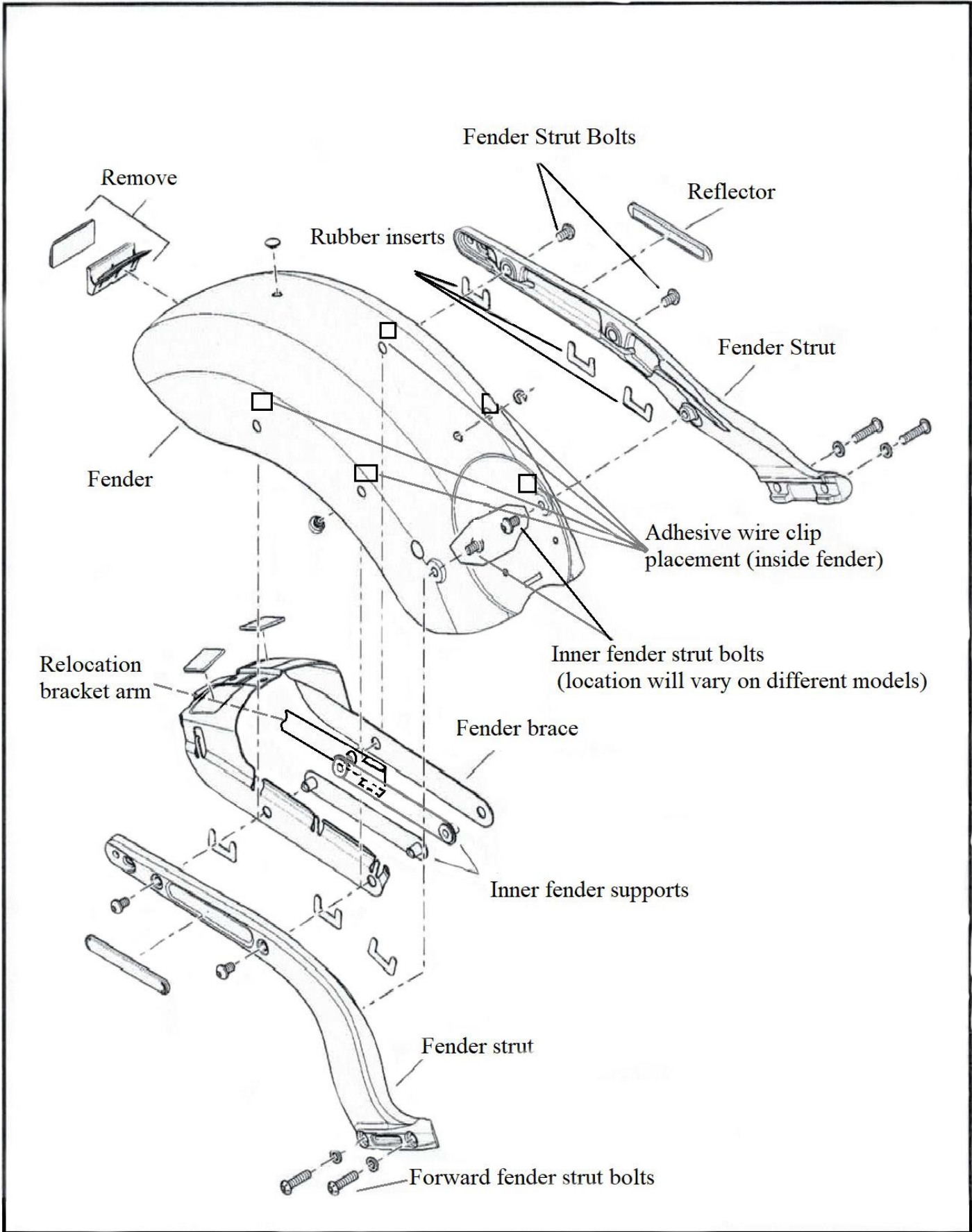


fig.6