



Quick Detach Saddlebag Brackets

Visit [www.greatbikegear.com](http://www.greatbikegear.com) to view installation video

KEY CODE NUMBER \_\_\_\_\_  
(Save this number for future key identification)

**Applications** Rev. 11/19/15

Harley Davidson DEUCE - **Model DUC-R1**

Before you begin, read and understand these instructions and check to be sure all parts are accounted for.

<u>Qty.</u>	<u>Part Description</u>
2	Easy Brackets (ID number 17, stamped on brackets)
4	Docking Posts
4	3/8 Polished SS Button Head Bolt
8	3/8 x 1 Black Button Head Bolt
12	3/8 Nylon Locking Nuts
8	3/8 Fender Washers
2	Keys

**Installation Instructions**

1. The Mounting System for “The DEUCE” (Model DMS-EB) sold by Great Bike Bear, Inc. must be installed prior to installation of the Easy Brackets. Contact your local dealer or Great Bike Gear, Inc. at (866) 521-3024.
2. Using the 3/8 polished SS button head bolts and 3/8 nylon locking nuts provided, attach the docking posts to each of the vacant holes in the Mounting System for the DEUCE. Torque to 12 ft. lbs.
3. Repeat steps 1 and 2 on the LH side of the fender.
4. Install the EASY BRACKETS on the docking posts. **Note:** Use the key provided to open the cam lock prior to installation on the docking posts. The key can not be removed until the cam lock is fully engaged under the docking post.
5. Hold the RH saddlebag against the EASY BRACKET. Position the saddlebag as desired noting the clearances from the seat, turn signals and any lower obstructions such as chain guards, axel nuts, and etc. Mark the outer edge of the bracket on the saddlebag. Remove the EASY BRACKET from the motorcycle.
6. Place the bracket on the saddlebag within the outline and drill the 4 holes for mounting. Attach the bracket to the saddlebag using the (4) 3/8 x 1 black button head bolts, (4) 3/8 fender washers and (4) 3/8 Nylon locking nuts (**All 4 mounting points MUST be utilized**). Install the completed RH saddlebag with EASY BRACKETS on the motorcycle. **Note: The cam lock must be fully engaged and the key removed to ensure the EASY BRACKETS are properly installed and ready for use.**
7. Repeat steps 4, 5, and 6 on the LH side of the fender.

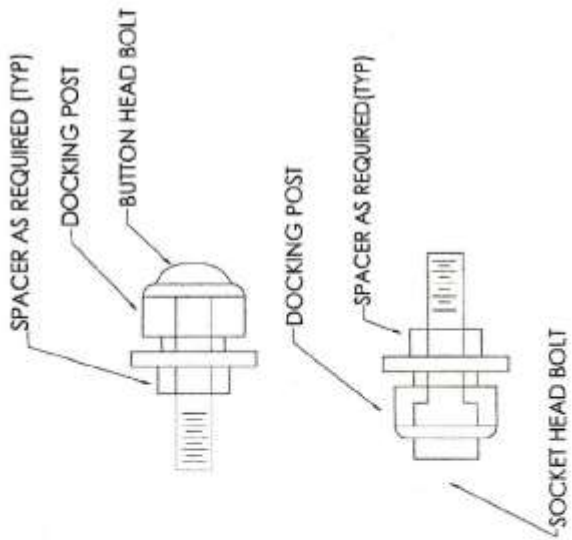
**Notice to Consumer**

**Do NOT exceed 15 lbs. of total weight on the EASY BRACKET saddlebag removal system.**

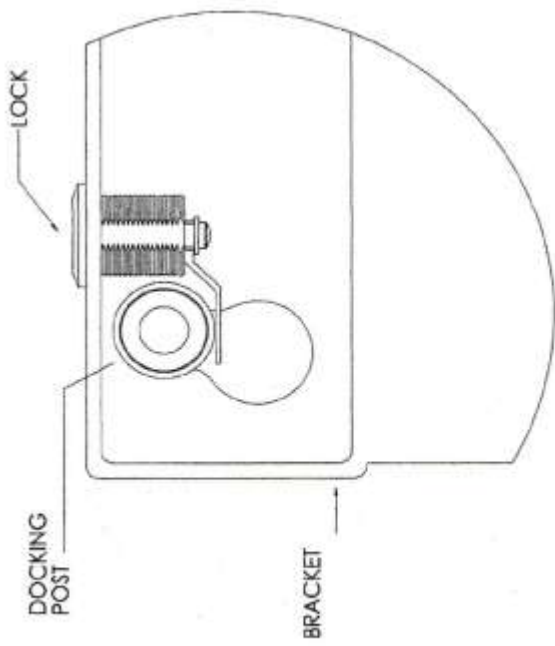
Neither the manufacturer distributor nor retailer of the EASY BRACKETS makes any express warranties of any kind with respect to the EASY BRACKETS. Any implied warranty does not cover defects caused by modification or alterations of the EASY BRACKETS or caused by physical abuse to or misuse of the EASY BRACKETS or its use and/or operation in a manner contrary to the accompanying instructions. Failure to install and/or use the EASY BRACKETS in the manner described by the accompanying instructions shall render all warranties, expressed and/or implied, void and release the manufacturer, distributor and retailer from any and all liability arising from the use of the EASY BRACKETS.

**For product support, damaged or missing parts, please contact Great Bike Gear at 866-521-3024  
Do not return product without prior authorization.**

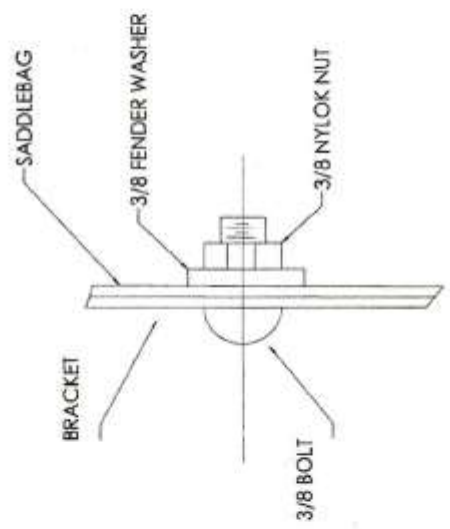
**SEE REVERSE SIDE FOR ILLUSTRATIONS**



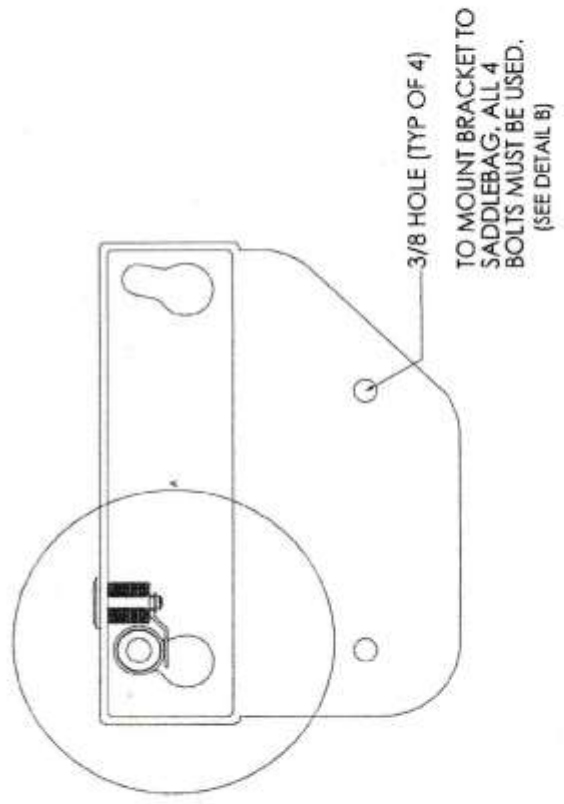
TYP BOLT/DOCKING POST



DETAIL A



DETAIL B



TYPICAL DETAILS



## MOUNTING SYSTEM for “The DEUCE”

for use with

**EASY BRACKETS**™

*Quick Detach Saddlebag Brackets*

### Applications

Harley Davidson **DEUCE** - **Model DMS-EB**

Before you begin, read these instructions and check to be sure all parts are accounted for.

<u>Qty.</u>	<u>Part Description</u>
2	Mounting Plates

### Installation Instructions

1. Remove the right side fender rail cover. The following steps are recommended to remove fender rail cover. (See Illustration)  
Remove the two front allen bolts (D&E). Leave one allen bolt (D) slightly in place until bolts (A&B) are removed. Remove bolt (B). Remove bolt (A) and hold fender rail cover securely while removing allen bolt (D). Fender rail is now unbolted from the motorcycle. Be advised the turn signal wires are still attached to the motorcycle. Do not allow the fender rail to hang loose to avoid paint damage.
2. Remove bolt (C) on the outside of the fender. You are now ready to install the mounting plate. The mounting plate will be installed between the fender and the fender rail. Note RH and LH tags on mounting plate.  
Factory bolts (A, B and C) will be reused to install the mounting plate. Prior to installing mounting plate, pull turn signal wires through slot into the hole for the turn signal wires. Reinstall bolt (C) through mounting plate and to the fender. Leave this bolt slightly loose while aligning bolt hole (B) with the fender hole. Tighten bolt (C) per service manual.
3. You are now ready to reinstall the fender rail.  
Holding the fender rail up to the fender, install bolts (D&E). Do not tighten. Install bolt (B). Do not tighten. Install bolt (A). Tighten all bolts per service manual. The installation on the right side is complete.
4. Repeat steps 1, 2, and 3 on the left hand side of the fender.

### Notice to Consumer

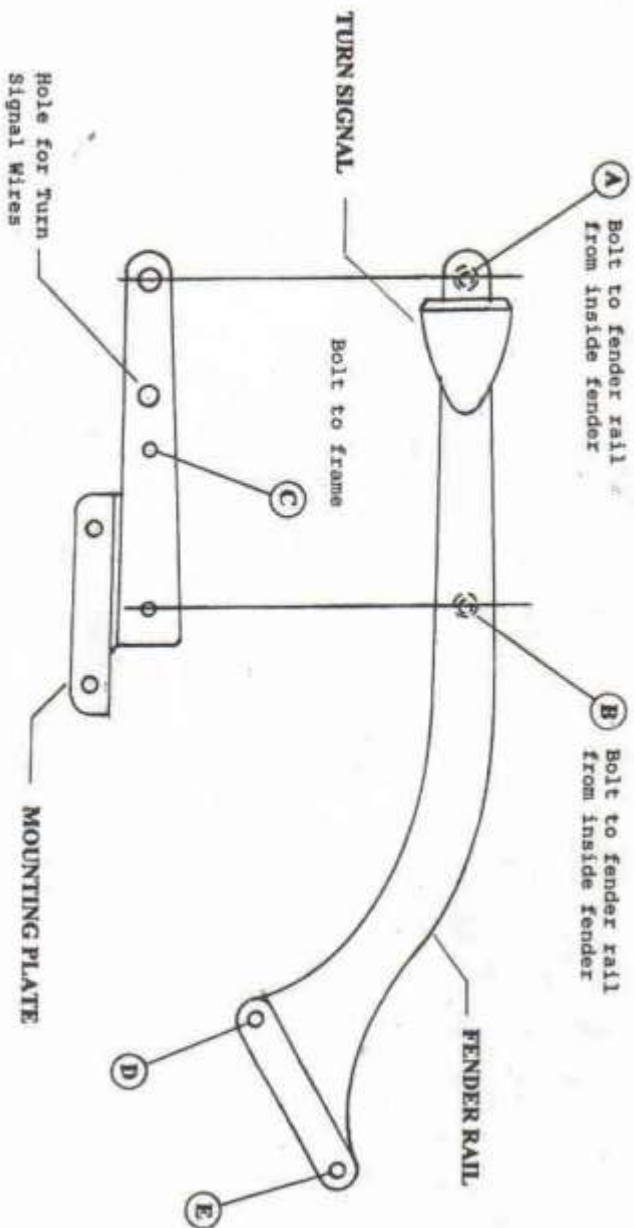
**Do not exceed 15 lbs. of total weight on the Great Bike Gear, Inc. Mounting System** for the Deuce.

Neither the manufacturer nor the distributor or retailer of the Mounting System makes any express warranties of any kind with respect to the Mounting System. Any implied warranty does not cover defects caused by modification or alterations of the Mounting System or caused by physical abuse to or misuse of the Mounting System or its use and/or operation in a manner contrary to the accompanying instructions. Failure to install and/or use the Mounting System in the manner described by the accompanying instructions shall render all warranties, expressed and/or implied, void and release the manufacturer, distributor and retailer from any and all liability arising from the use of the Mounting System.

**For product support, damaged or missing parts, please contact Great Bike Gear, Inc. at 866-521-3024**  
**Do not return product without prior authorization.**

**SEE REVERSE SIDE FOR ILLUSTRATIONS**

## MOUNTING SYSTEM for "THE DEUCE"



**NOTE:** Mounting Plate to be installed  
between fender and fender rail